

PEST CONTROL (INDIA) PVT. LTD.



PEST-O-FLASH[®]

the flying insect control system



Instruction Manual

POF- Models

Dear Customer,

I am proud that you have chosen Pest-O-Flash[®], the flying insect control system from Pest Control (India) Pvt. Ltd.

While this equipment is indeed the best of its kind, I would like you to derive the fullest and uninterrupted benefit from it. The purpose of this booklet is to tell you precisely how to get the best out of Pest-O-Flash[®].

As pioneers and leaders in Pest management services, products, equipment and technology, we assure you of a Pest-free environment.

Yours Sincerely,

For Pest Control (India) Pvt. Ltd.



Anil S. Rao.

CMD & CEO

PEST-O-FLASH[®]

the flying insect control system



Name _____

Address _____

Date of Invoice _____

Model _____

Serial Nos. _____

Get the best out of the machine :

Check this machine and be assured of its operation before installation.

Ensure proper earthing.

Do not suspend machine at over 8' above floor level.

In premises with voltage fluctuations, use voltage stabilizers (230 V. A.C.)

In case of damage to one tube in double tube models, do not operate before replacing the damaged tube.

Use 110V/20W starters and 1.5 Amps. fuse in T2 and 3 Amps. in T4 model having 2 and 4 tubes respectively.

Replace tubes at least once in 12 months.

Always disconnect power supply before :

1. Working on or servicing the machine
2. Replacing tubes
3. Cleaning grids (remove safety guard for access)

The **Pest-O-Flash** machine/s supplied to you as per details in invoice is/are warranted, against any manufacturing defect for a period of 12 months from the date mentioned in invoice.

The said warranty however does not cover the Actinic Black light tubes which, along with the machines were tested in our factory before supply and were found to be in satisfactory working condition.

This warranty will not be applicable for wear and tear or breakages/damages caused during normal usage.

PEST CONTROL (INDIA) PVT. LTD. 

36 Yusuf Building, M.G. Road, Mumbai 400 001
WWW.pestcontrolindia.com
E-mail:-solutions@pci.in

GENERAL INFORMATION

The POF is a range of insect control systems designed to offer the highest levels of insect control for all applications from

Industrial, Healthcare, Pharmaceutical, Food processing applications to Take Aways & Shops.

All POF models are High Voltage Killer Traps employing electrocuting method, designed to meet worldwide safety regulations and available in a variety of models to suit all flying insect infestation requirements. All POF machines feature.

- Two or Four Lamp Option.
- 15 Watt ultraviolet (UV-A) Lamps.
- Standard Lamps or Sleeved Safety Lamps.
- Suspended, Dual Sided Fixing Mode or Wall* Fixed. (*Optional kit available)
- Hinged Grills for Easy Access When Servicing.

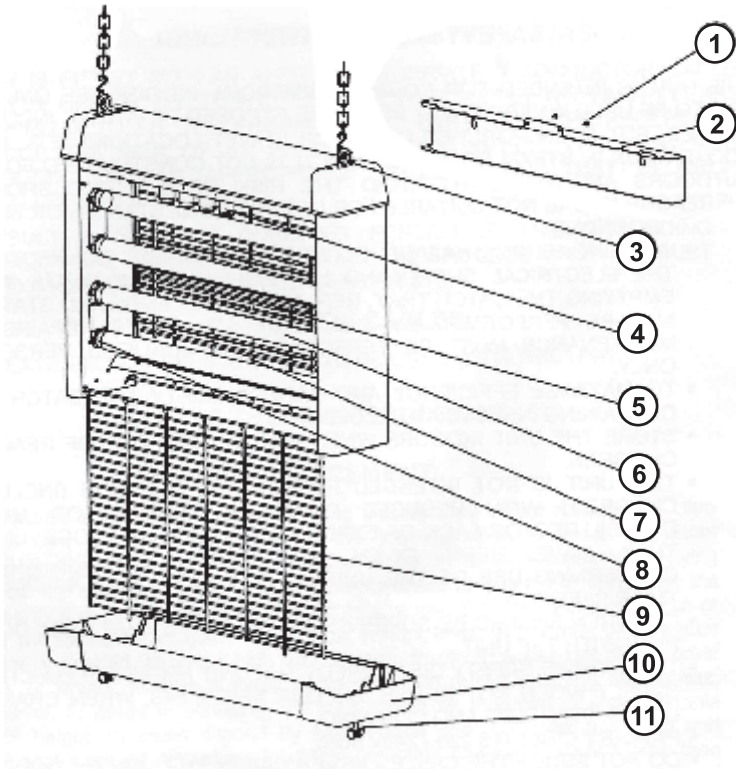
Remove all packing and dispose off appropriately. Before use cut and remove 2 - cable ties, used to secure the HV grid during transportation.

Models available include:

Model No.	Catch Method	Finish
POF-W-T2	High Voltage Killer	White Powder Coated with Two Standard Lamps
POF-B-T2	High Voltage Killer	Black Powder Coated with Two Standard Lamps
POF-W-T2 S	High Voltage Killer	White Powder Coated with Two Sleeved Shatter Proof Lamps
POF-B-T2 S	High Voltage Killer	Black Powder Coated with Two Sleeved Shatter Proof Lamps
POF-W-T4	High Voltage Killer	White Powder Coated with Four Standard Lamps
POF-B-T4	High Voltage Killer	Black Powder Coated with Four Standard Lamps
POF-W-T4 S	High Voltage Killer	White Powder Coated with Four Sleeved Shatter Proof Lamps
POF-B-T4 S	High Voltage Killer	Black Powder Coated with Four Sleeved Shatter Proof Lamps

FOR OPTIMUM PERFORMANCE, PLEASE READ THIS MANUAL THOROUGHLY.

Introducing POF - Models



No.	Description
1	Retaining screws
2	Wall Mounting Plate
3	Hanging Point
4	Starter
5	Killing Grill
6	UVA Lamp or UVA Shatter Proof Safety Lamp
7	Protective Front Grill
8	Lamp Holder
9	Protective Back Grill
10	Catch Tray
11	Catch Tray 1/4 Turn Release Fastener

SAFETY INSTRUCTIONS

- This unit is intended for commercial Indoor use only and not be used where it may be exposed to water, including roofed, or in wet locations, e.g. above cookers or in steam rooms and Outdoors, to avoid hazards of electric shock.
- Warning: shock hazard. Do not open whilst connected to the Electric supply. no user serviceable parts inside. Emptying the Catch tray, replacing the Lamps & starters, may be performed by the user. All other repairs & maintenance must be performed by qualified personnel only.
- To maximise efficiency & safety, empty the Catch Tray, containing insects as needed.
- Store the unit indoors, when not in use- out of reach of children.
- This unit is not intended for use by persons (including children) with reduced physical, sensory or mental capabilities, or lack of experience and knowledge, unless they have been given training or instructions concerning use of the unit by a person from the Company-PCI.
- Children should be supervised to ensure that they do not play with the unit.
- To maximise safety disconnect the unit from the electrical supply when not in use, before servicing, when changing lamps, starters and cleaning.
- Primary Circuits 220-240 V 50 Hz.
- Do not abuse the cable-never carry the unit by the cable or pull it from its receptacle. Keep the cable away from heat, oil & sharp edges.
- If cable is damaged do not use. Have the cable replaced by a qualified Electrician.
- Do not insert foreign objects into this unit.
- The unit is not to be used in locations where flammable vapour or explosive dust is likely to exist.
- To provide continued protection against the risk of electric shock, connect to properly grounded outlets only.

GROUNDING INSTRUCTIONS

POF is fitted with an appropriate 3 conductor cable and must be connected to the power supply with a 3 -pin Earthing Type plug to fit the proper Earthing type receptacle. To reduce the risk of an electric shock, the plug must be plugged into an appropriate outlet that is properly installed and Earthed.

Consult a suitably qualified person if the grounding instructions are not completely understood or if in doubt, whether proper grounding exists.

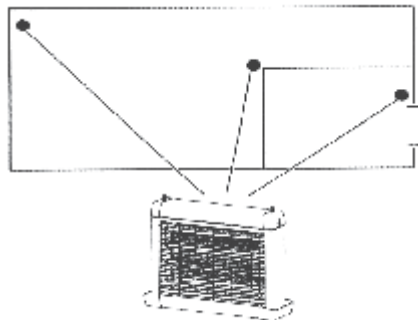
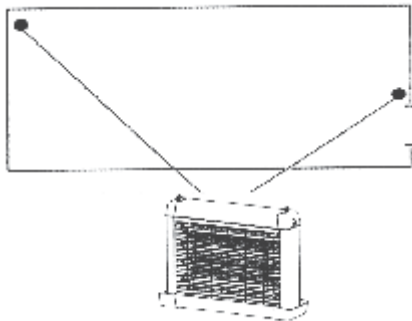
EXTENSION CABLES

Extension cables not to be used with this unit.

TRAP PLACEMENT

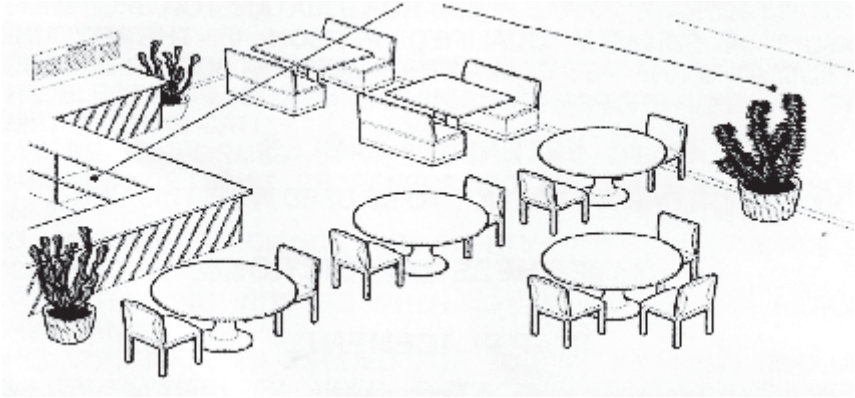
PEST-O-FLASH attracts many kinds of flying insects Any insect attracted to Ultra Violet Light is a potential victim. Location of trap is an important consideration. Think of the trap as an interceptor. Install near areas where flying insects are seen or where it is possible for them to enter. For control of the house fly it is best to place the unit as close to floor level as possible. Flies in search of food will spend majority of the time at floor level.

- 1) Mount the trap 3 feet to 5 feet above the floor, but as far as possible never above 7 feet, to kill day flying insects like flies
Traps may be mounted higher, if desired, to avoid high traffic areas, in dining areas out of customer view, or where the trap is likely to be damaged during cleaning procedures. However, to assist in servicing, the trap should be mounted at a comfortable reach height.
- 2) In areas divided by walls, place one trap near the entry and additional traps as necessary to obtain complete coverage in each area. (see figure) .
- 3) Depending on room size place at least one unit in each section of the production area.
- 4) In large premises locate one ceiling unit about 12 feet from the door. Other units to be placed at about 50 feet from each other.
- 5) Never place unit directly above exposed foods, food preparation surfaces, packing lines, work or production facility.
- 6) Locate unit away from sunlight and artificial lighting especially mercury vapour lamps. such sources of light effect efficiency of the unit.
- 7) Do not hang the unit directly over sources of heat or steam, since this may damage the insulation of the electric cables.
- 8) Avoid areas where strong air currents hinder the movement of insects towards the unit
- 9) Be sure that there is an electrical outlet within close proximity of the proposed location of the trap and the plug is accessible, so that it can be disconnected & electrically isolated for maintenance and cleaning.
- 10) Place the unit out of reach of children.



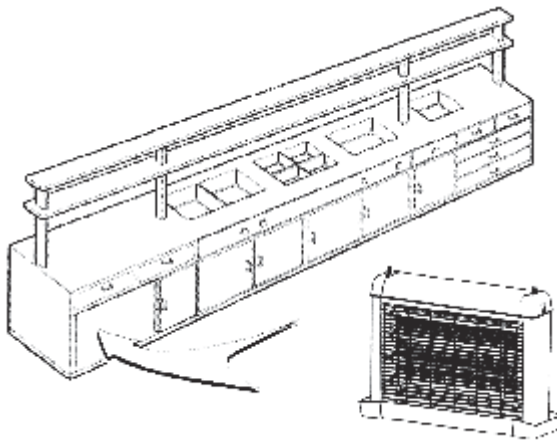
Refer to the following diagrams, which suggest typical areas of placement for more effective fly control.

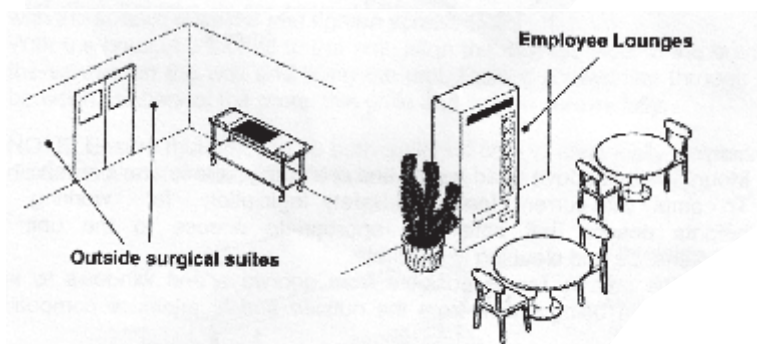
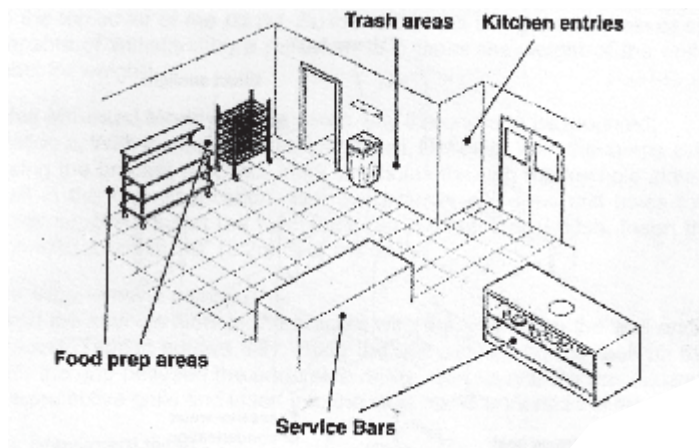
Hide or install traps higher in customer areas.



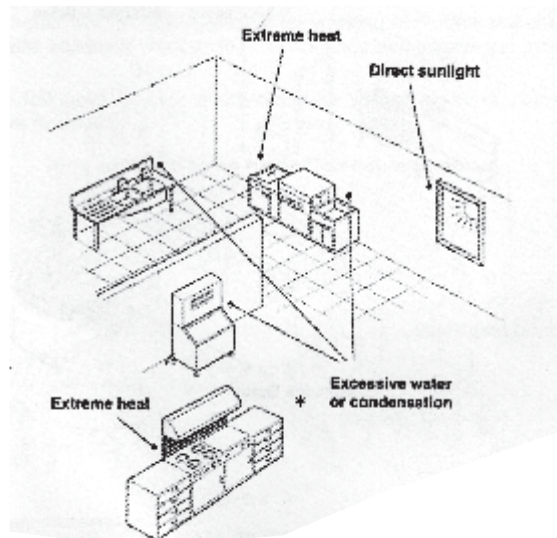
Survey the kitchen and other areas for the best location. Look for locations where flies congregate, such as around trash, preparation areas where food is readily available, near entries from trash dumpsters, next to service entrances and even floor drains!

Place POF, around



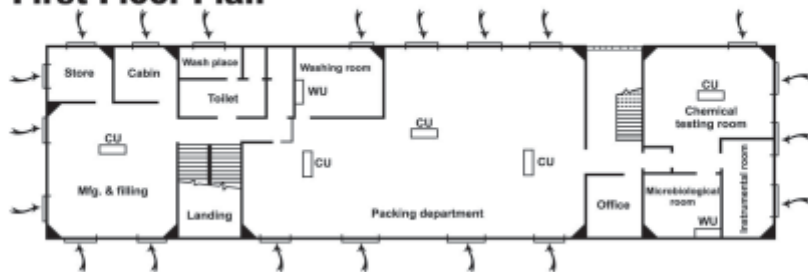


Avoid placing POF, where there is :

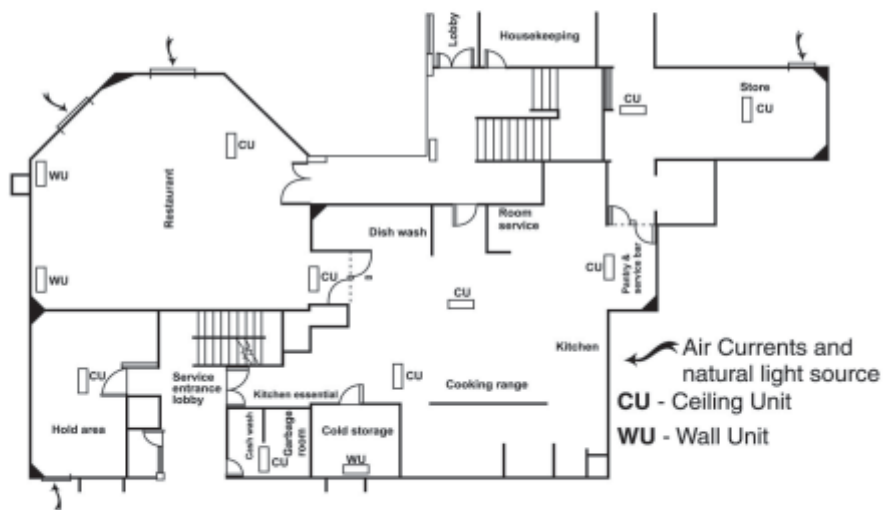
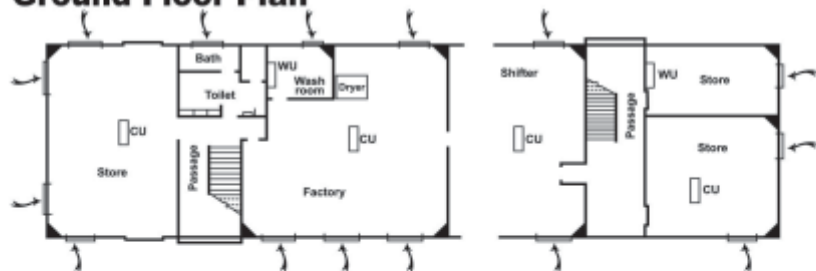


An example of ideal location of units :

First Floor Plan



Ground Floor Plan



ASSEMBLY & FIXING

When installation is not being done by the designated staff of our company, always avail services of a licensed electrician.

Test the unit before mounting onto the wall or the ceiling.

Suspended Mode:-The unit should be suspended by the two fixing points fitted to the top cover of PEST-O-FLASH.

Suspend the unit using metal chain with closed loops and atleast 20 kgs weight bearing capacity.

Wall mounted Mode:- For this an additional wall mounting plate should be purchased, which is supplied as an accessory, common for all models of PEST-O-FLASH.

Decide which way the unit is to be mounted.

Option a, with the lamps close to the wall. Option b, with the lamps at front.

Using the bracket supplied, mark two holes through the keyhole slots on to the wall in the desired location. Remove bracket and drill holes for the wall plugs supplied. Insert the two plugs into the holes until flush. Insert the screws provided to within 1/8 (3.2mm) of the wall.

Note:-Ensure that the unit can be both switched off and electrically isolated by disconnection, for cleaning and maintenance.

CONNECTION TO ELECTRICITY SUPPLY

Observe the following instructions.

- 1) Check the input voltage on the unit label is correct for your supply.
- 2) Ensure that the machine circuit is fused at 3A maximum.
- 3) Connect the unit to the power source by the cable provided, which is terminated in a plug connector. If this connector is incompatible with the installation it must be cut off, rendered unusable and disposed of.
- 4) Connect the cable to the power source ensuring that the colour code is strictly adhered to.
Earth:- Green
Positive:- Red
Neutral:- Black
- 5) It is advisable to use Voltage stabiliser to guard against heavy Voltage fluctuations.

STARTER REPLACEMENT

Should the tubes fail to light, this may be due to a defective starter. There is one starter per lamp. Replace the starters as follows.

1. Switch off and disconnect from the electric supply, withdrawing the plug (where fitted) before handling the unit.
2. Remove the catch tray from the unit by twisting the release fasteners a quarter turn anti-clockwise, and pull the catch tray down away from the unit.
3. Open the appropriate side of the protective grills by lifting up and pushing back at the base. The grill will drop down on its hinge and pivot allowing access to the starters.
4. Remove each starter (located on the underside of the chassis below the top cover) by twisting a quarter turn anti-clockwise.
5. To install new starters, reverse the above procedure.

LAMP REPLACEMENT

Replace Lamps at the beginning of each fly season (once per year)- using only lamps supplied by PCI. Use of any other lamps may affect the units operation and effectiveness. Do not use UV-B or UV-C lamps.

1. Switch off and disconnect from the electrical supply, withdrawing the plug(where fitted) before handling the unit
2. Remove the catch tray from the unit by twisting the release fasteners a quarter turn anti-clockwise, and pull the catch tray down away from the unit.
3. Open the appropriate side of the protective grills by lifting up and pushing back at the base. The grill will drop down on its hinge and pivot allowing access to the lamps.
4. If wall mounted with lamps close to wall, first remove the killer grill by lifting up and withdrawing out of the unit.
5. Rotate each lamp a quarter turn then withdraw out away from the unit.
6. To install new lamps reverse the above procedure.

NOTE:-

When refitting the grills make sure that the top projecting vertical bars locate into the holes in the underside of the chassis.

WARNING :



Lamps contain mercury. Dispose off according to local, state, or federal law.



SEE WWW.LAMPRECYCLE.ORG

KEEP YOUR UNIT CLEAN

Before proceeding with cleaning disconnect power supply.

Clean the Collection tray regularly, to prevent accumulation of dead insects.

Keep the killing grid free from clogging, by dead insects or cobwebs, with a brush.

Wipe and clean the unit and the tube lights.

Keep the killing grid clean at all times.

IMPORTANT SERVICING INSTRUCTIONS

SAFETY

- Switch off and disconnect from the electrical supply, withdrawing the plug(where fitted) before handling the unit.



WARNING HIGH VOLTAGE

- For proper operation the interior and exterior surfaces of this unit should be cleaned once every month or as needed. Excessive grease and food particles will reduce its effectiveness as well as create an unsanitary condition.
- Empty any dead insects from the tray.
- Change the lamps every 12 months.
- Wipe the catch tray and body with a cloth dampened with warm water and soap/detergent.
- When necessary, clean the live grill with a nylon scourer. Do not use steel wool or metal scouring pads. Be careful not to bend the grill rods.